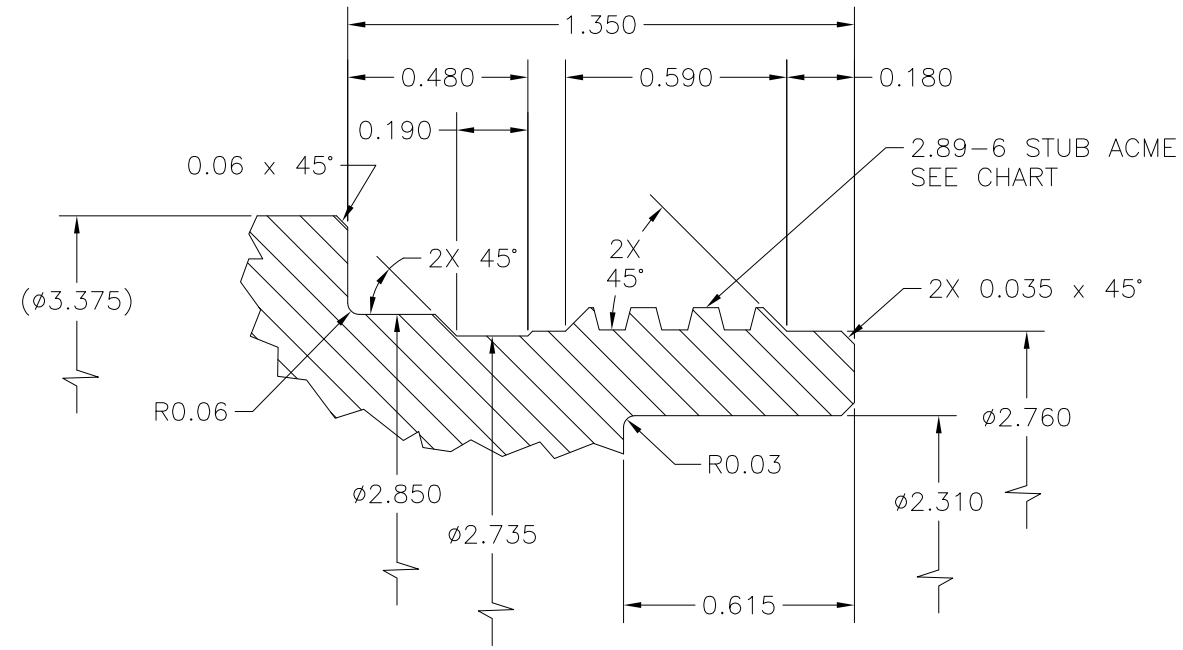
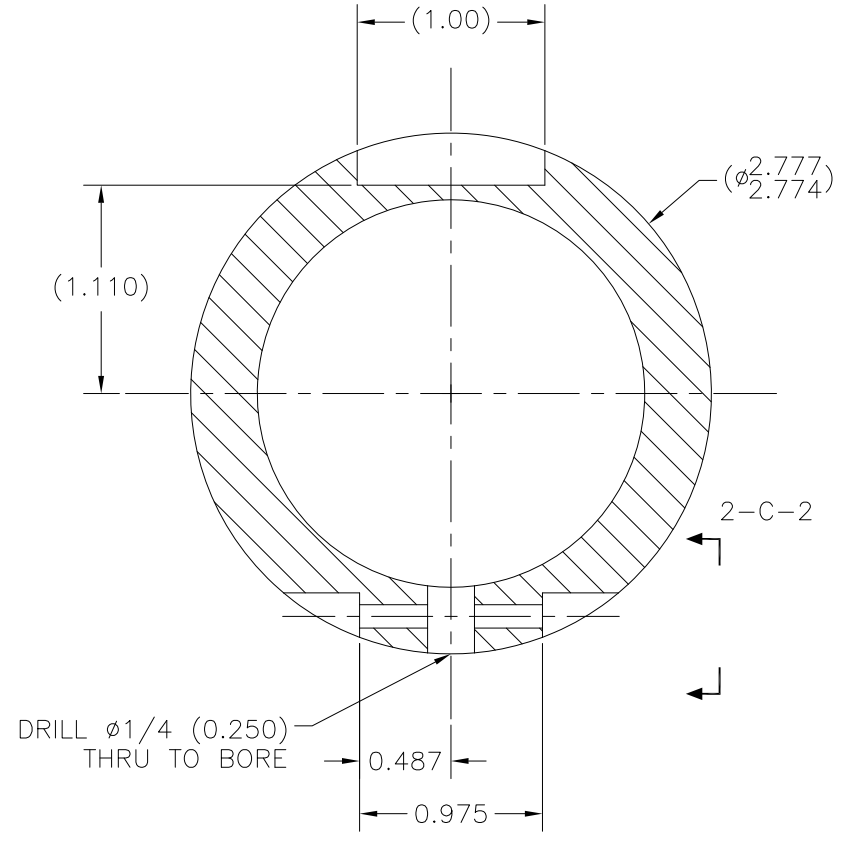


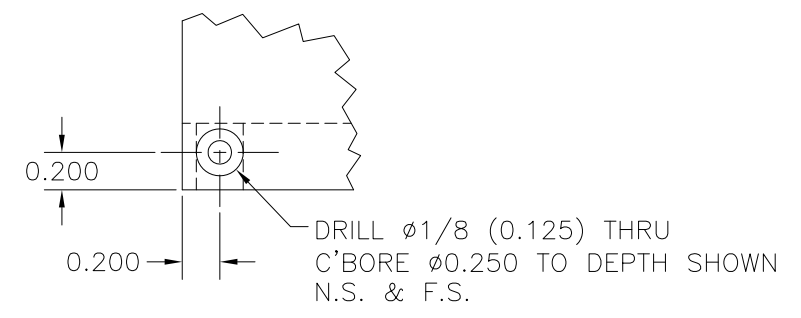
REVISIONS				
NO	DESCRIPTION	DATE	BY	APR/DATE
2	OBSOLETE - APPLIES TO ERS V.1 ONLY	2/21/11		



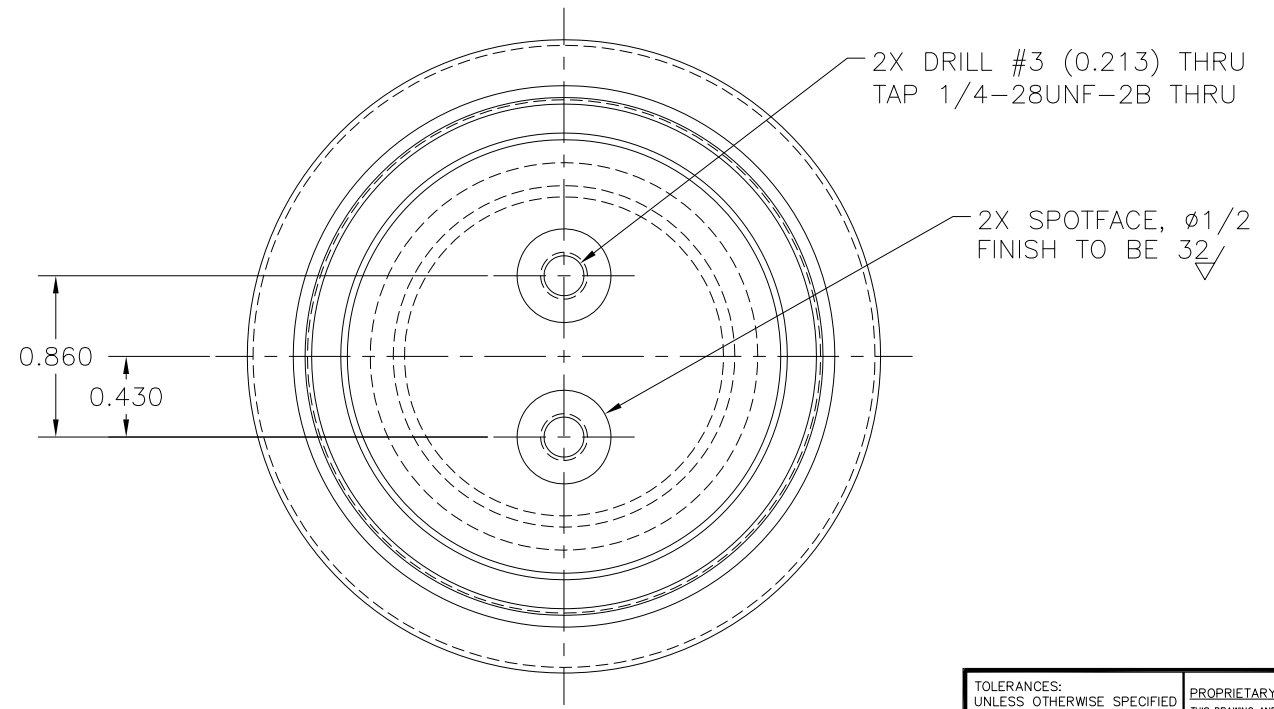
DETAIL 2-C-7
REF. 1-B-1



SECTION 2-C-4
REF. 1-A-6



VIEW 2-C-2
REF. 2-C-3



VIEW 2-B-4
REF. 1-A-1

2.89-6 STUB ACME EXTERNAL	
MAJOR DIAMETER, MAX.	- 2.890
MAJOR DIAMETER, MIN.	- 2.882
PITCH DIAMETER, MAX.	- 2.826
PITCH DIAMETER, MIN.	- 2.816
MINOR DIAMETER, MAX.	- 2.770
MINOR DIAMETER, MIN.	- 2.760
BASIC THREAD HEIGHT	- 0.050
BASIC WIDTH OF CREST	- 0.067
THREAD PITCH	- 0.167

TOLERANCES: UNLESS OTHERWISE SPECIFIED 0.X ± 0.030 0.XX ± 0.010 0.XXX ± 0.005 ANGLES ± 1/2° BREAK EDGES 0.015 x 45° MIN. FINISH 125/ [0.010]A	PROPRIETARY NOTICE THIS DRAWING AND THE INFORMATION IT CONTAINS ARE CONSIDERED CONFIDENTIAL, AND MAY NOT BE REPRODUCED, COPIED OR USED, IN PART OR IN WHOLE, WITHOUT PRIOR WRITTEN CONSENT.	Integrated Ocean Drilling Program TEXAS A&M UNIVERSITY 1000 DISCOVERY DRIVE COLLEGE STATION, TX 77845
ALL DIMS ARE IN INCHES, UNLESS NOTED OTHERWISE.	SHEET 2 OF 2 SCALE FULL BY KM DATE 07/20/10	TITLE X/O & PRESSURE CASE, ERS TO 31 PIN CONNECTOR SYSTEM ASSEMBLY 3" ERS CHECKED JCS APPROVED TP DATE 07/20/10 SIZE D P/N ERS-022 REV. 1